

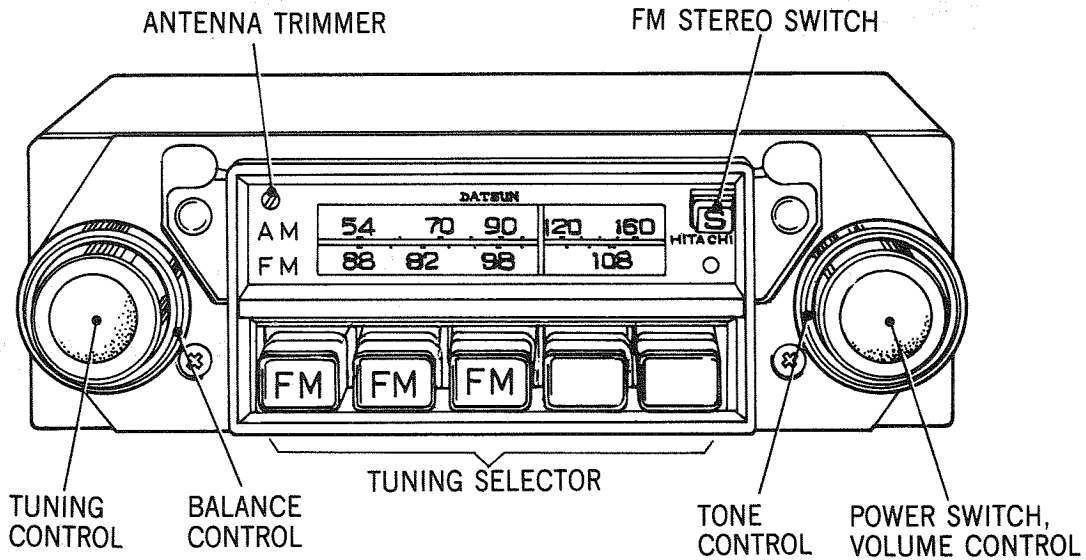


HITACHI

KMS-2501B

SERVICE MANUAL

No. 890



SPECIFICATIONS

TUNER SECTION

Circuit System	FM/AM superheterodyne
Tuning Range	FM: 88~108 MHz
	AM: 530~1605 kHz
Intermediate Frequency	FM: 10.7 MHz
	AM: 455 kHz
Sensitivity	FM: 20 dB
	AM: 30 dB
Antenna	Car antenna

GENERAL

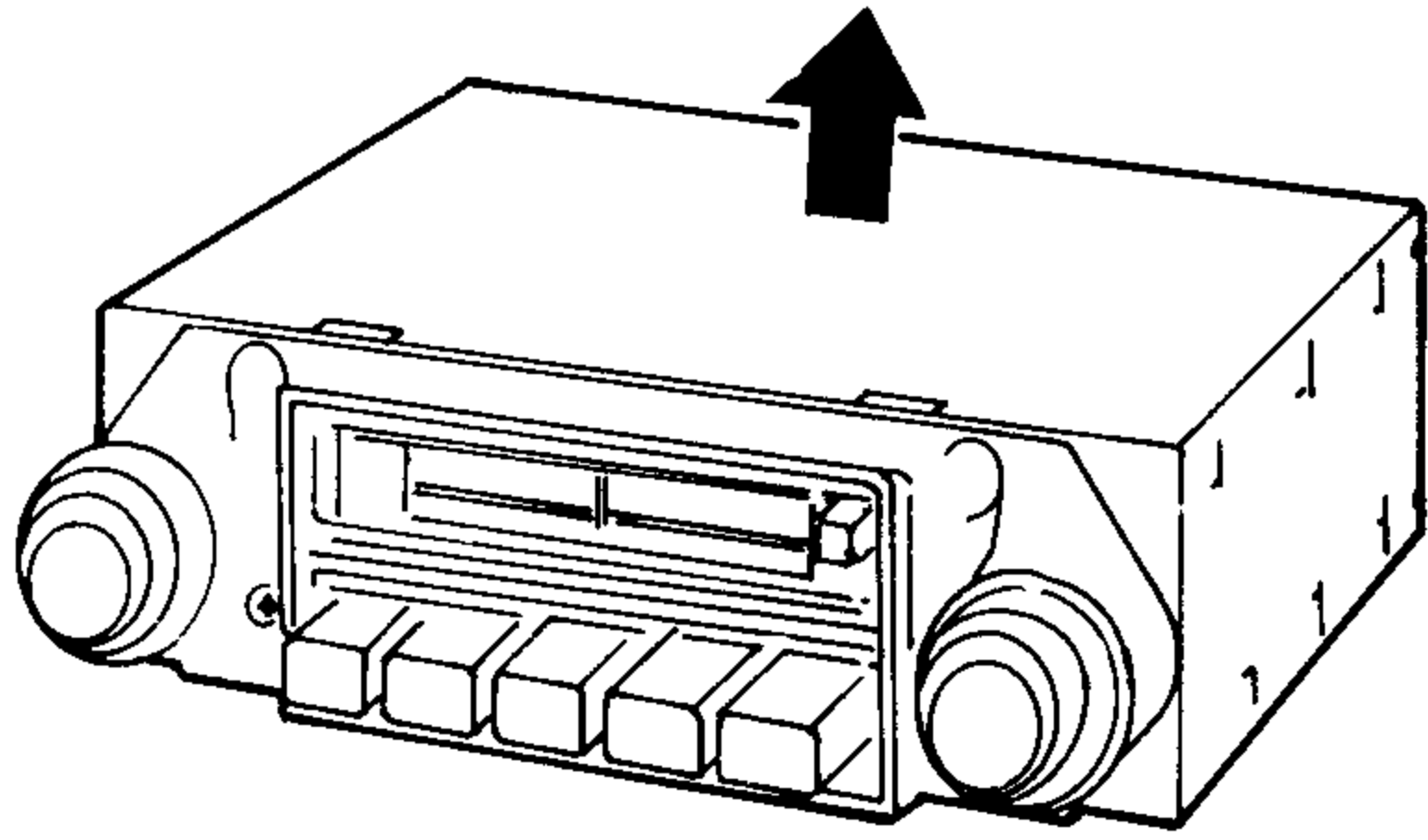
Semiconductors	4 IC's, 1 FET, 7 Transistors, 11 Diodes
Power Supply	12V(Car battery), Negative ground
Current Consumption	175mA
Speaker	4Ω, P.M., 12×18cm
Output	9W (at 14.4V)
Dimensions	5.0cm(H)×16.0cm(W)×13.0cm(D)
Weight	1.2kg

2-BAND CAR RADIO with FM STEREO

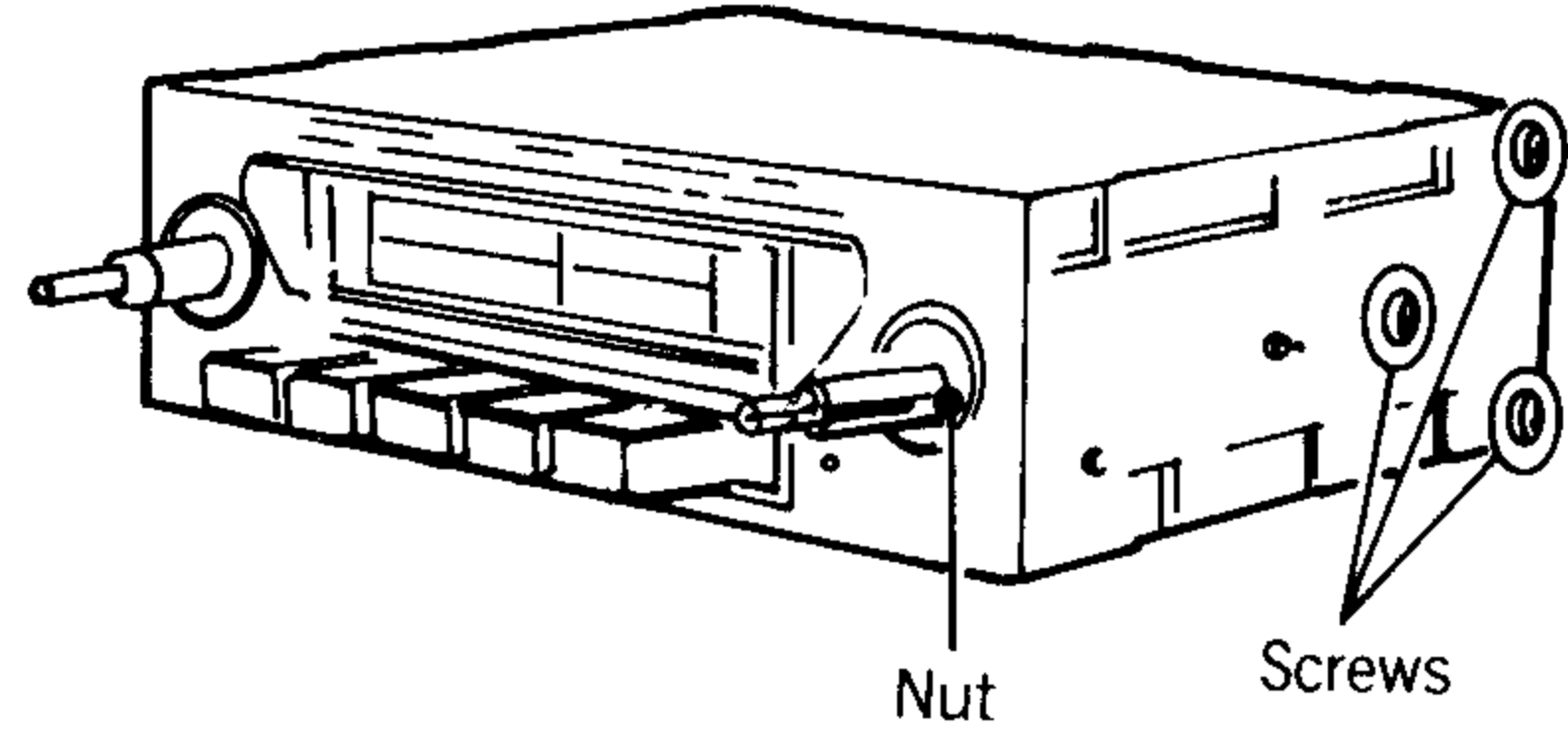
Oct. 1976

DISASSEMBLY

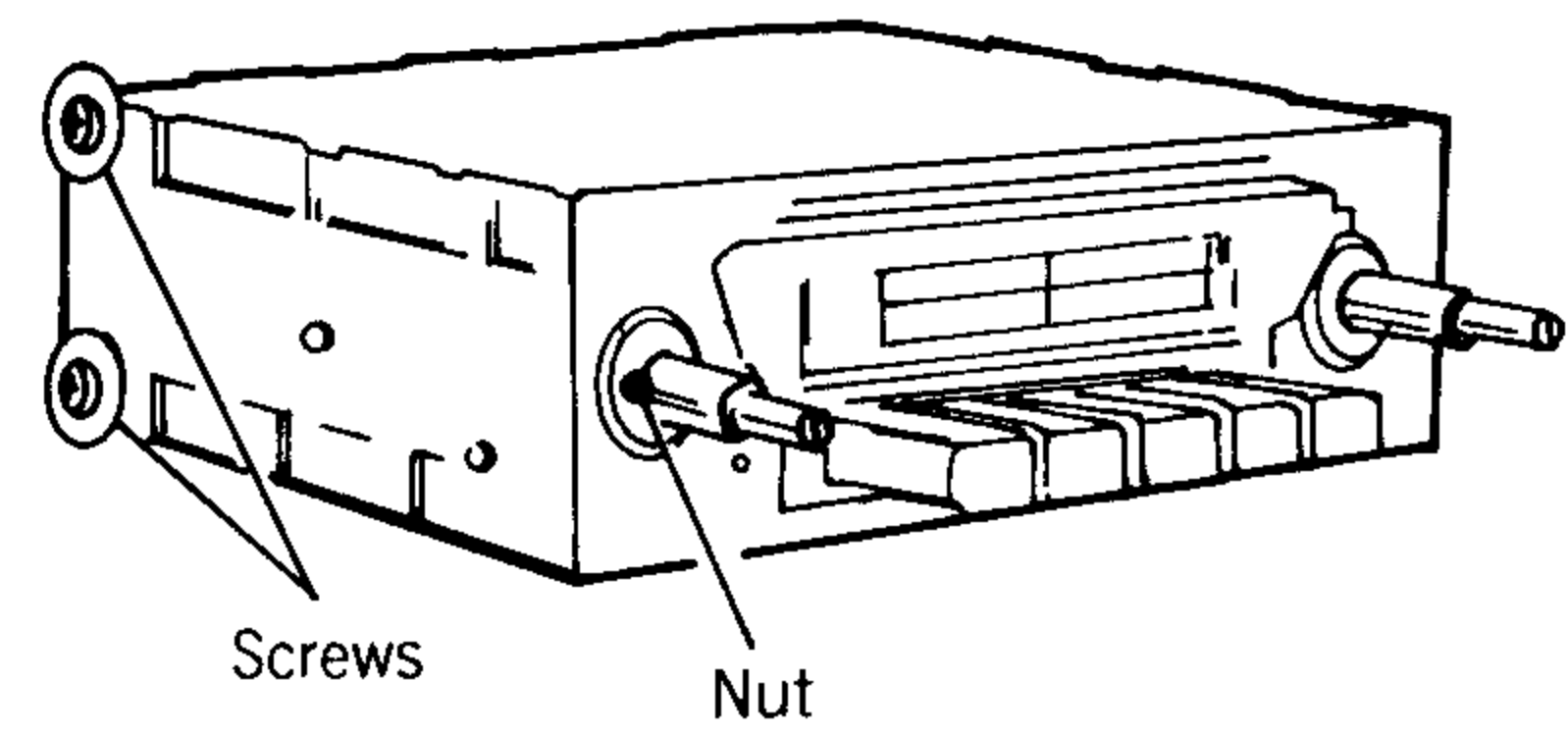
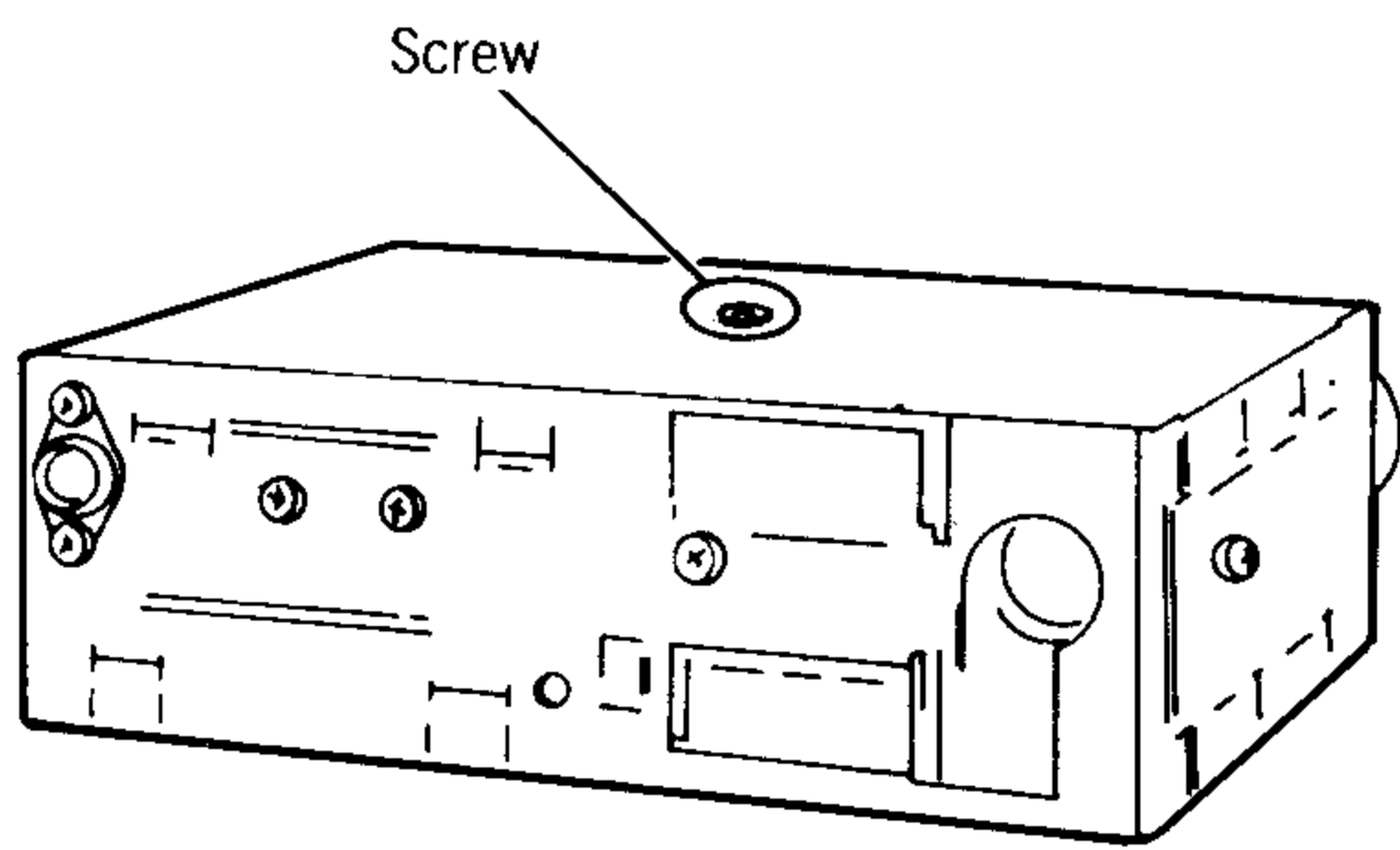
1. Upper cover



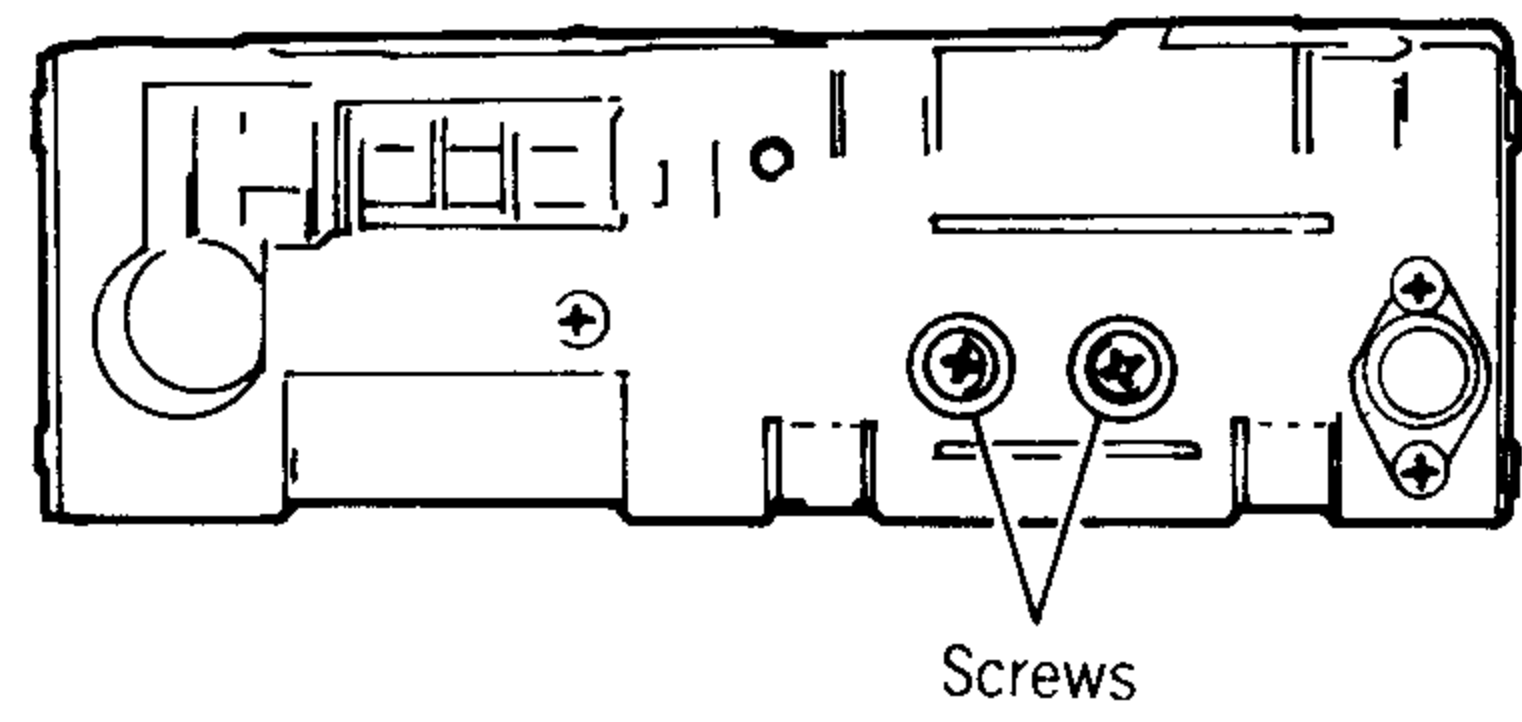
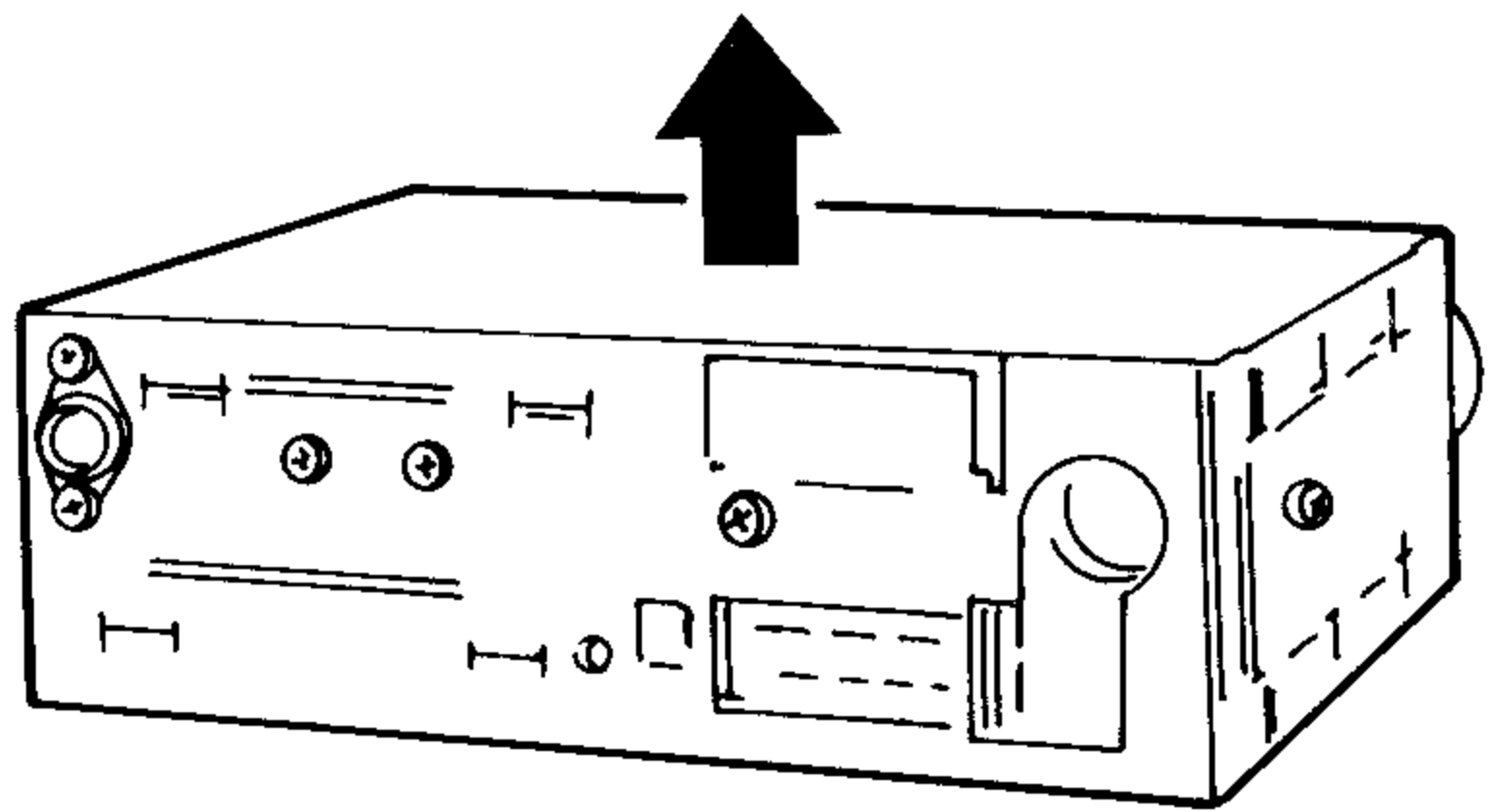
4. Case
2 nuts, 5 screws



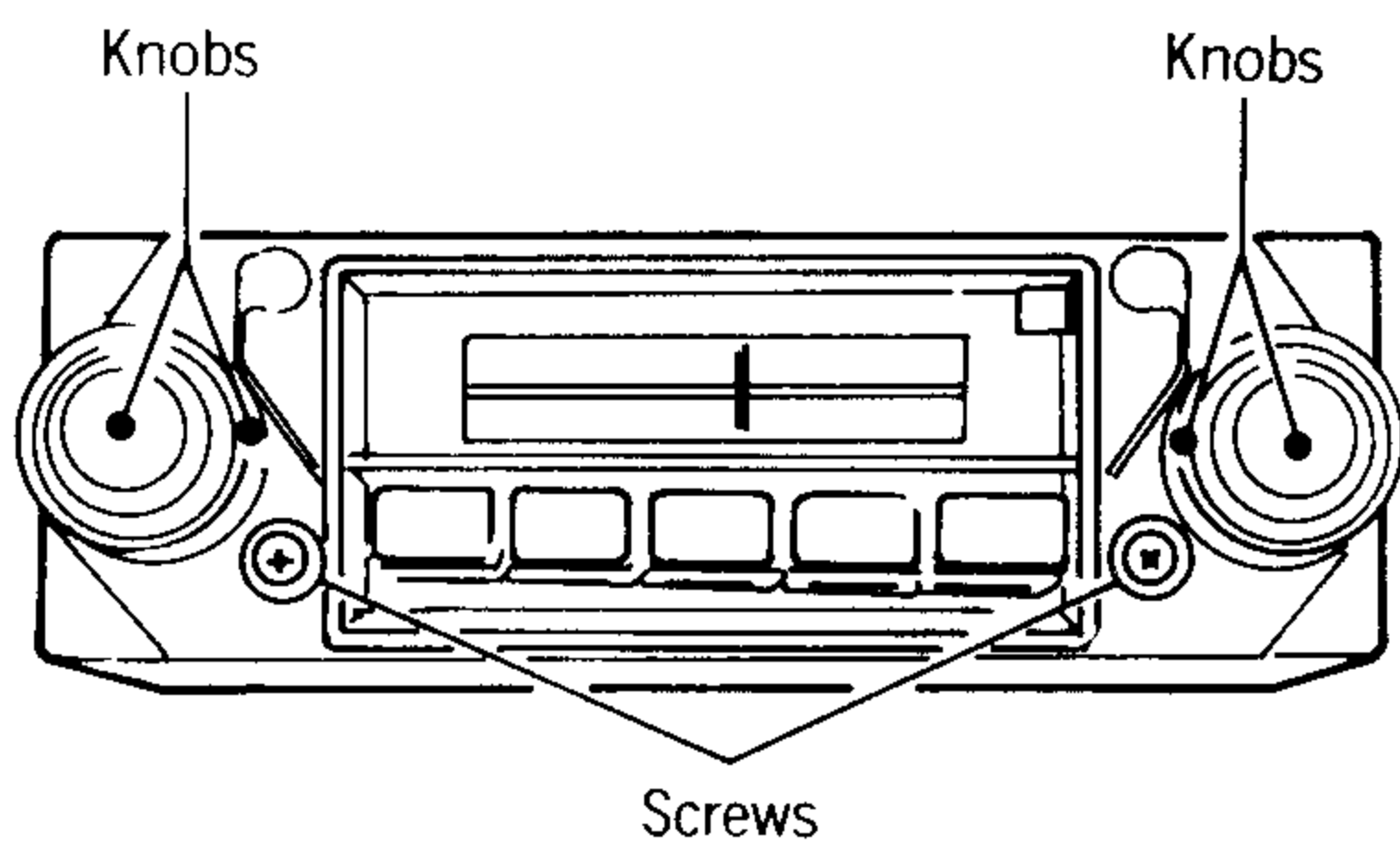
2. Bottom Cover
1 screw



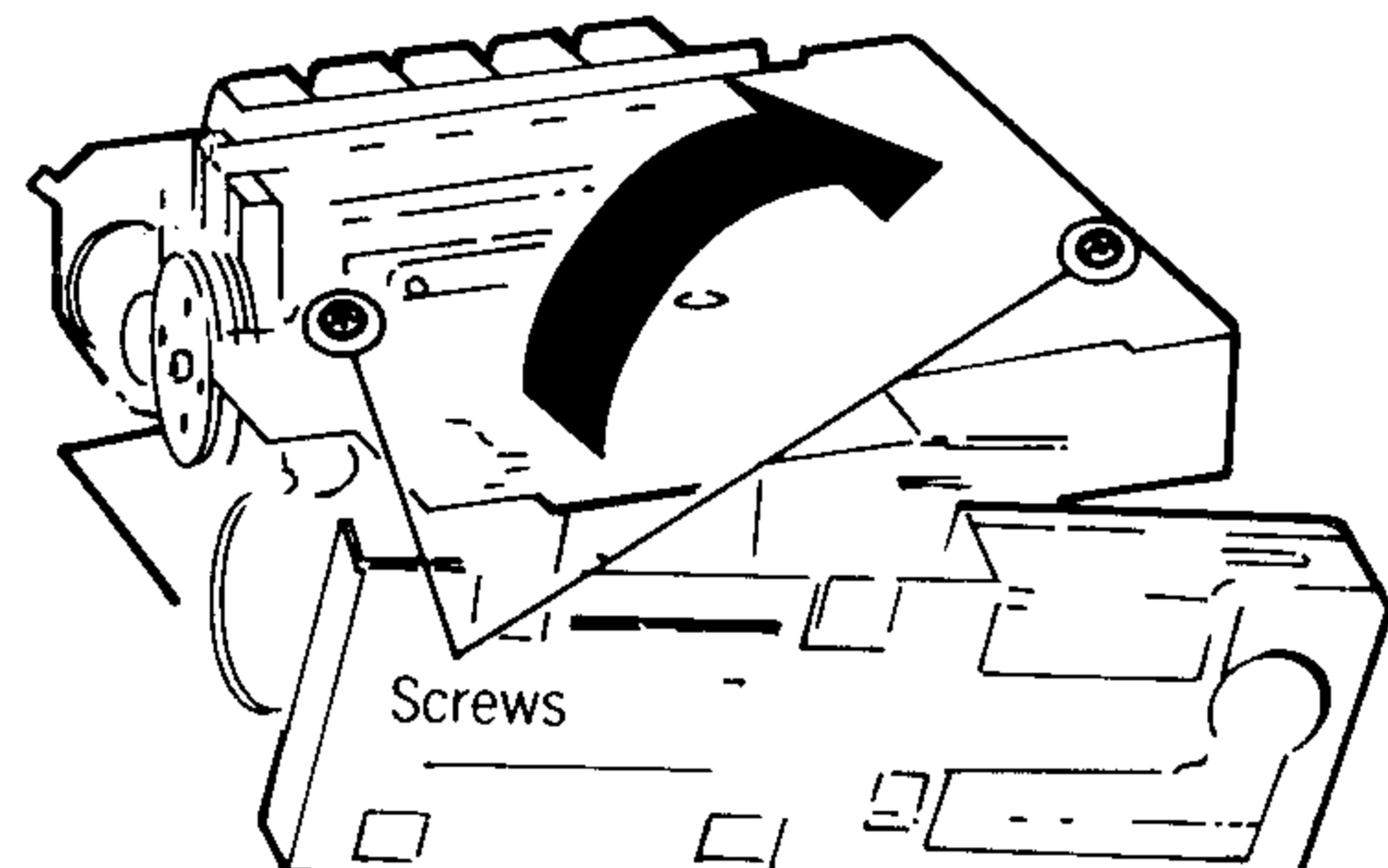
5. Rear Case
2 screws



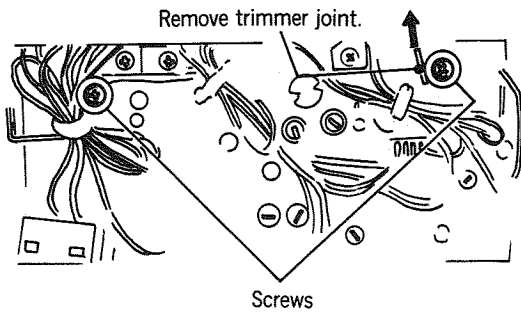
3. Nose Escutcheon
4 knobs, 2 screws



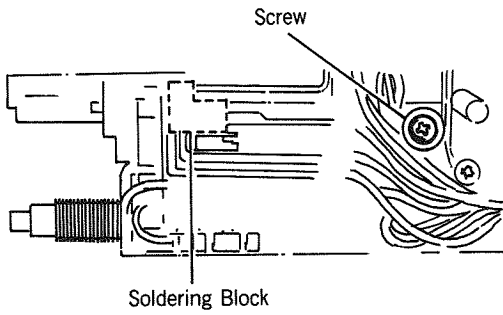
6. AF P.C.B.
2 screws



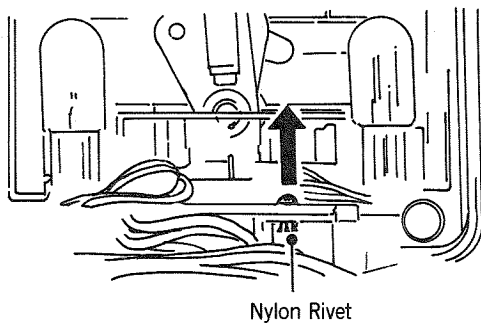
- 7. Radio P.C.B.
Trimmer joint(CT151), 2 screws



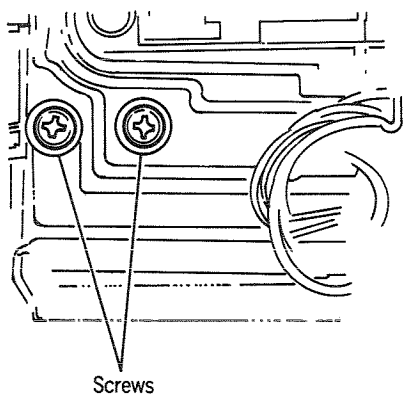
- 8. Switch P.C.B.
Soldering point, 1 screw



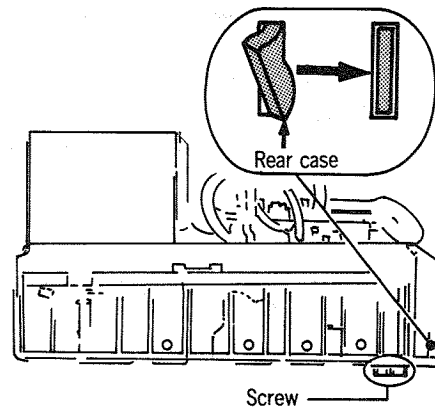
- 9. Lamp P.C.B.
Nylon rivet







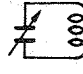




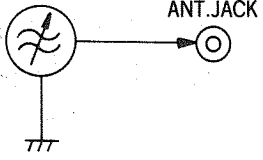
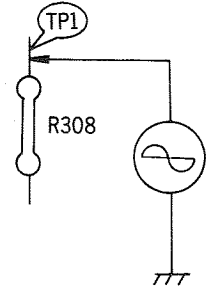
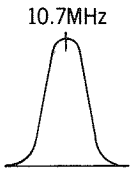

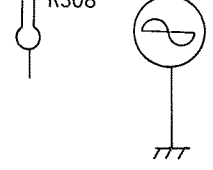
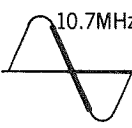
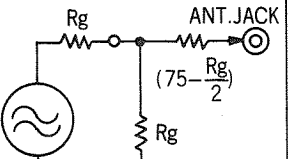
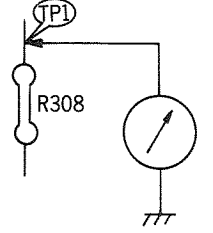
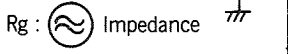

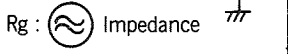
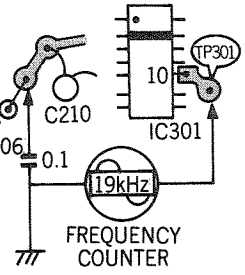
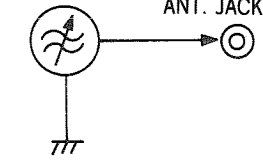
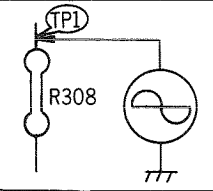
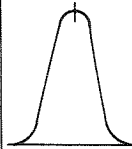
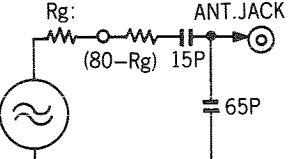
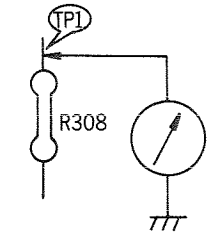
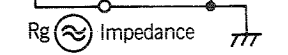

- 10. Relay P.C.B.
2 screws



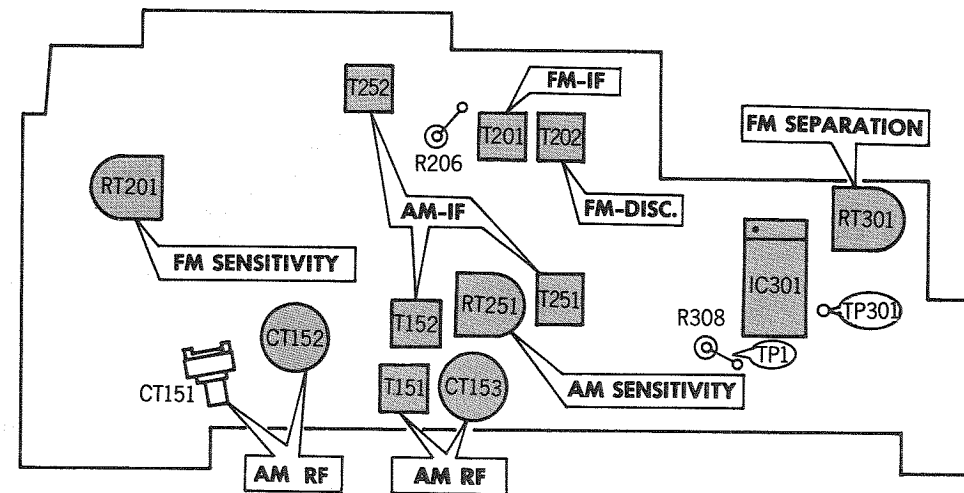
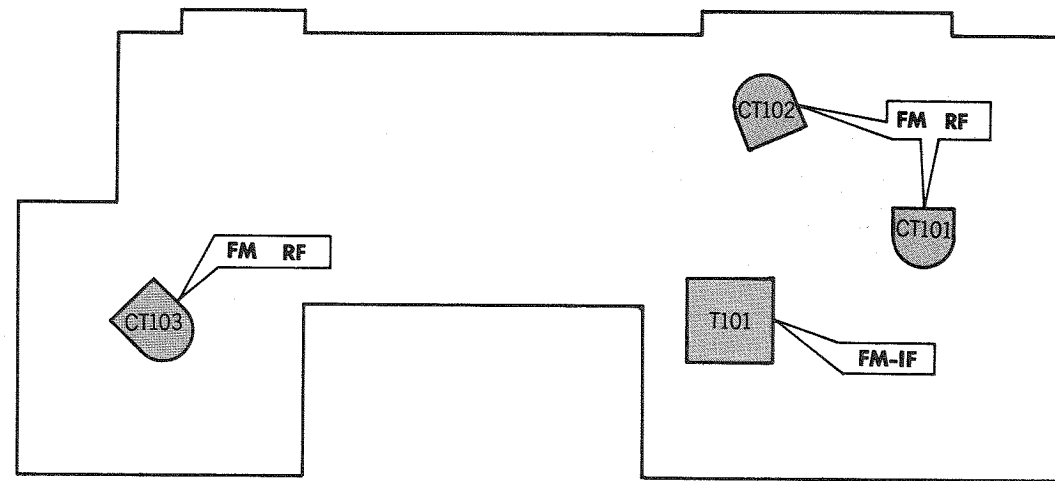
- 11. Power unit block
1 screw



ADJUSTMENT

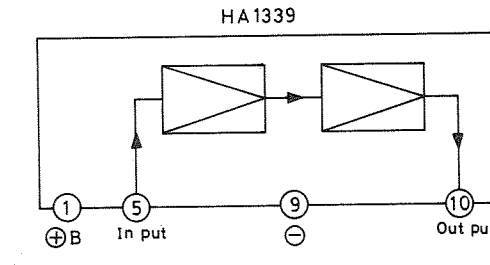
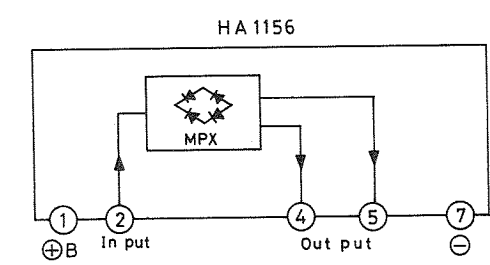
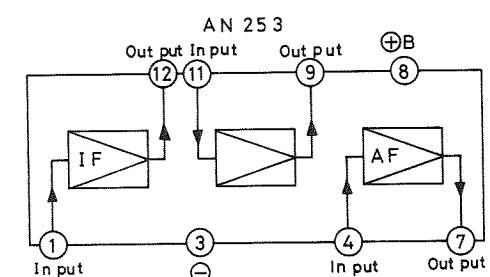
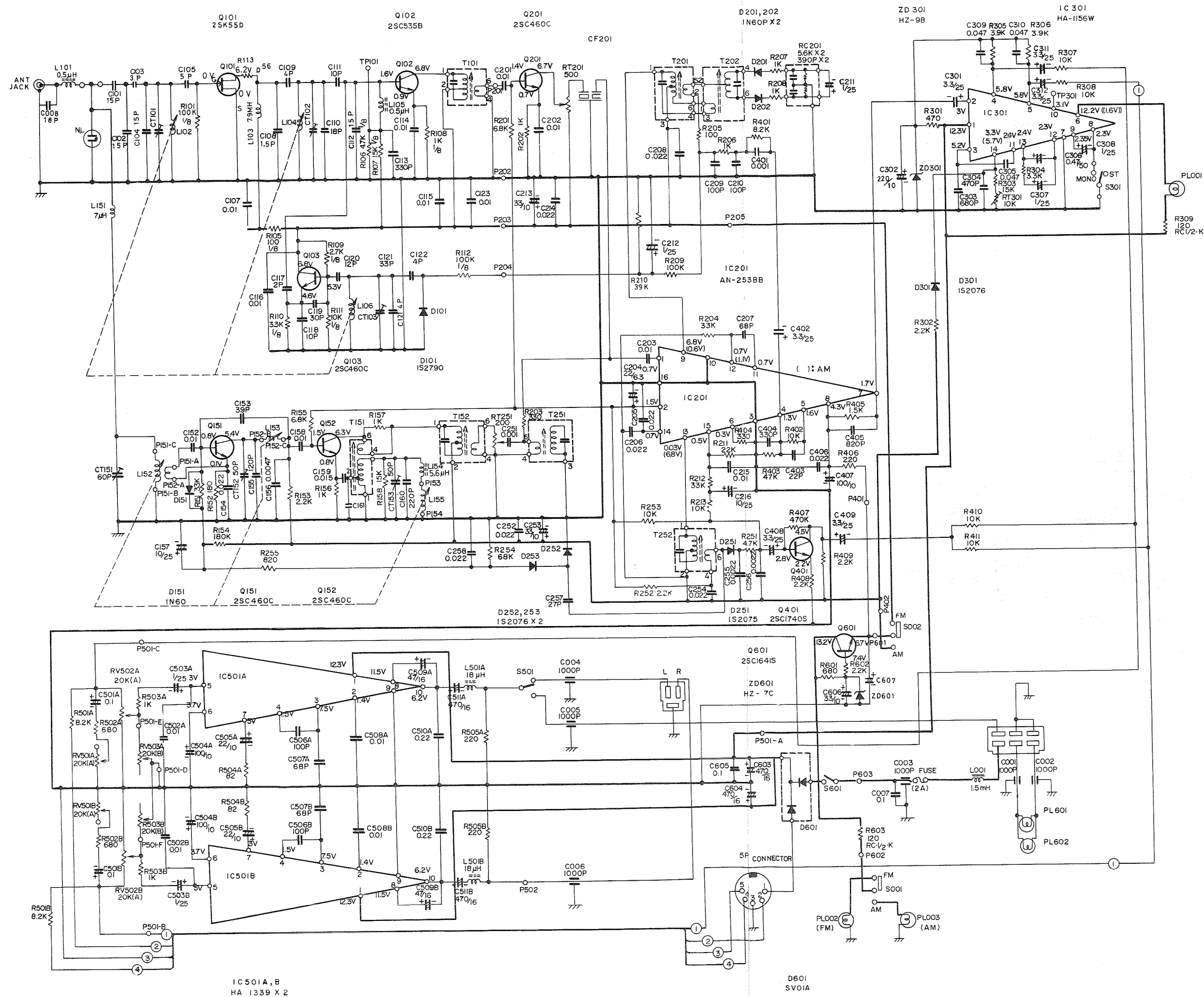
Sequence	Connection			Setting		Adjusting	
	Sweep Generator 	Signal Generator 	Oscilloscope V.T.V.M.  	Tuner 	Signal 	Adjust 	Indication  
Set core (T202: Fully clockwise, RT201: Center.)							
1	FM-IF			f max.	10.7MHz	T101,201	
2	FM-DISC.					T202	
3	FM-RF			f min.	87MHz	CT103	V max.
				98MHz	98MHz	CT101,102	
4	FM SENSITIVITY			98MHz	98MHz	RT201	19±2dB
5	FM SEPARATION			—		RT301 (S301:ON)	19±0.1kHz
6	AM-IF			f max.	455kHz	T152,251,252	
7	AM-RF			f min	510kHz	T151	V max.
				f max.	1650kHz	CT153	
				1400kHz	1400kHz	CT151,152	
8	AM SENSITIVITY			1400kHz	1400kHz	RT251	20dB

REPLACEMENT PARTS



SYMBOL-NO	P-NO	DESCRIPTION	SYMBOL-NO	P-NO	DESCRIPTION
CAPACITORS			SEMI-CONDUCTORS		
CT101	5058091	TRIMMER 8PF	Q201	0573487	TRANSISTOR SILICON 230MHZ 200MW 2SC460
CT102	5058091	TRIMMER 8PF	Q401	5321292	TRANSISTOR 2SC1740S
CT103	5058091	TRIMMER 8PF	Q601	5321292	TRANSISTOR SILICON 2SC1740S 250MHZ 300MW
CT151	5058086	TRIMMER 60PF	Z0301	5330311	DIODE SILICON 10KHZ 250MW HZ-9B
CT152	0283104	TRIMMER 50PF	Z0601	5330313	DIODE SILICON 1.0MHZ 400MW 200MICROS HZ7C
CT153	0283104	TRIMMER 50PF	TRANSFORMERS		
RESISTORS			T101	5140021	FM IF
RC201	0186357	CR PACK	T151	5120437	AM OSC
RT201	0151807	SEMI VARIABLE 500 OHM RS8S W	T152	5130036	AM IF
RT251	0151815	SEMI VARIABLE 200 OHM	T201	5148035	FM DISCRIMINATOR
RT301	0151808	SEMI VARIABLE 10K OHM RS88	T202	5148034	FM IF
RV501AB	5003171	VARIABLE 20KOHM	T251	5130036	AM IF
RV502AB	5003171	VARIABLE 20KOHM	T252	5130033	AM IF
RV503AB	5008181	VARIABLE 20KOHM(B)	COILS		
SEMI-CONDUCTORS			L101	5150141	TRAP
D101	5330661	DIODE SILICON 1S2790 200MHZ 80MW	L102	5126401	TUNER
D151	0575005	DIODE GERMANIUM 1N60 80MHZ 50MW 70NS	L103	5150811	CHOKE 7.9μH
D201	0575019	DIODE GERMANIUM 1N60P 80MHZ 50MW 70NS	L104	5126401	TUNER
D202	0575019	DIODE GERMANIUM 1N60P 80MHZ 50MW 70NS	L105	5150141	TRAP
D251	5330131	DIODE SILICON 1S2076 100MHZ 250MW 5NS	L106	5126401	TUNER
D252	5330131	DIODE SILICON 1S2076 100MHZ 250MW 5NS	L151	5150781	CHOKE 7μH
D253	5330131	DIODE SILICON 1S2076 100MHZ 250MW 5NS	L154	5152068	CHOKE
D301	5330133	DIODE SILICON 1S2076 100MHZ 250MW	L501AB	5152123	CHOKE 18μH
D601	5330371	DIODE SILICON 60HZ 1.7W SVD1A	MISCELLANEOUS		
IC201	5351061	IC AN253BB	5583212	TUNER	
IC301	5351073	IC HA1156	5651141	5P DIN SOCKET	
IC501AB	5350491	IC HA1339A	5687101	POWER UNIT	
Q101	5320943	TRANSISTOR 2SK55-D	5771011	TUNER CORE	
Q102	0573510	TRANSISTOR SILICON 700MHZ 100MW 2SC535	5771012	TUNER CORE	
Q103	0573487	TRANSISTOR SILICON 230MHZ 200MW 2SC460	5771013	TUNER CORE	
Q151	0573487	TRANSISTOR SILICON 230MHZ 200MW 2SC460	ANT.J	5675011	ANTENNA JACK
Q152	0573487	TRANSISTOR SILICON 230MHZ 200MW 2SC460	CF201	5160213	CERAMIC FILTER CF-107
			F	0591138	FUSE 2A 125V
			NL	0594094	LAMP-NEON 100 V
			PL001	5762037	LAMP

KMS-2501B KMS-2501B

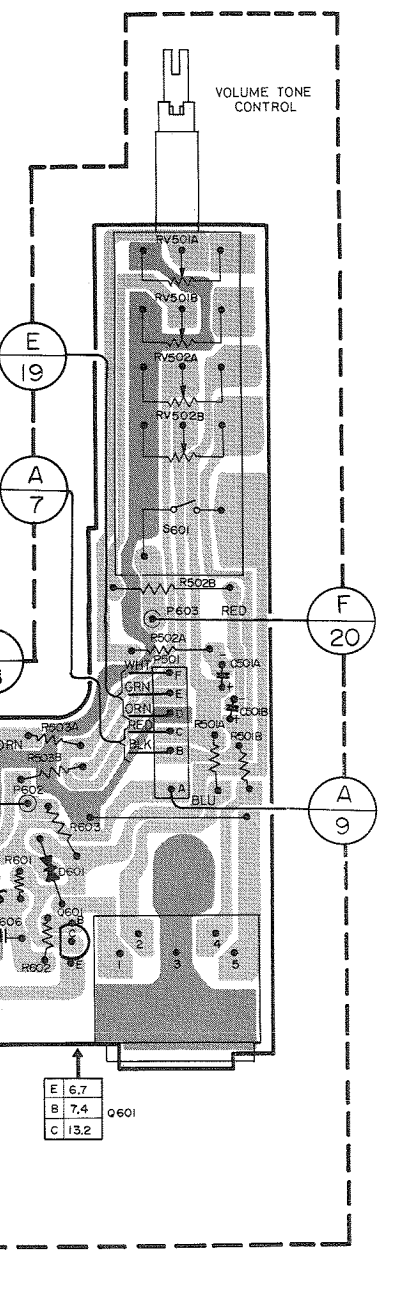
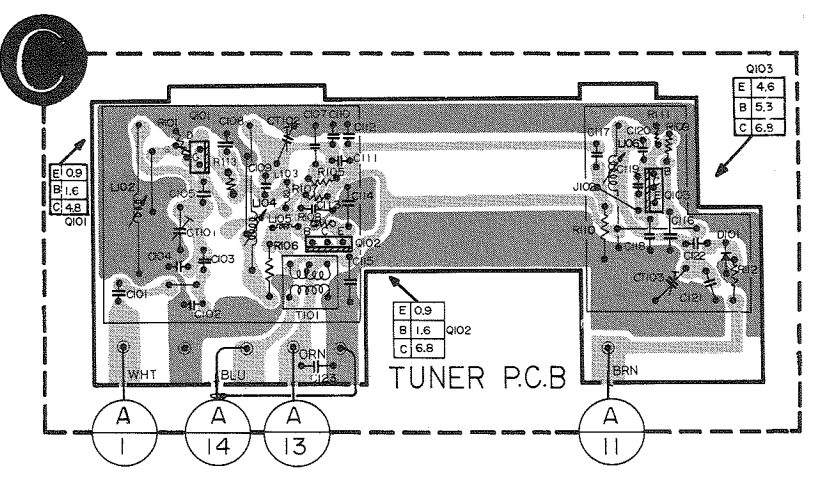
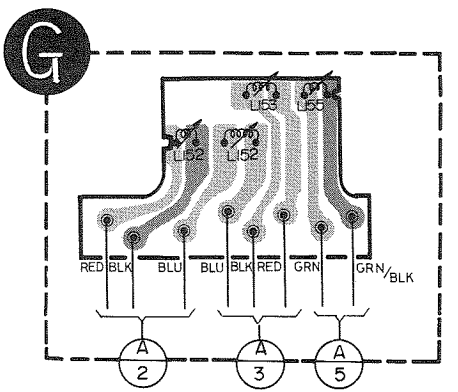
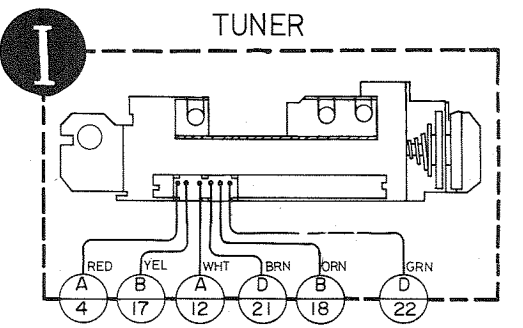
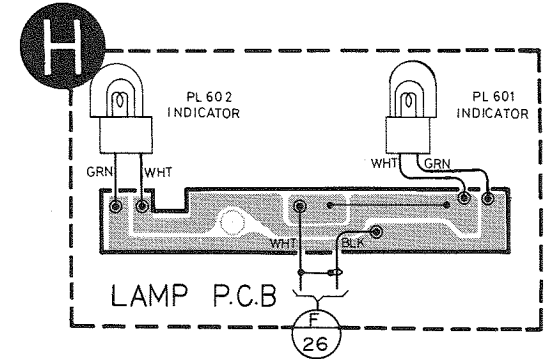
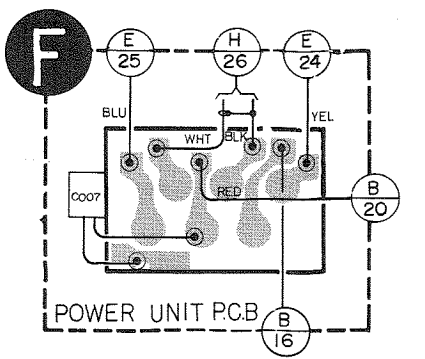
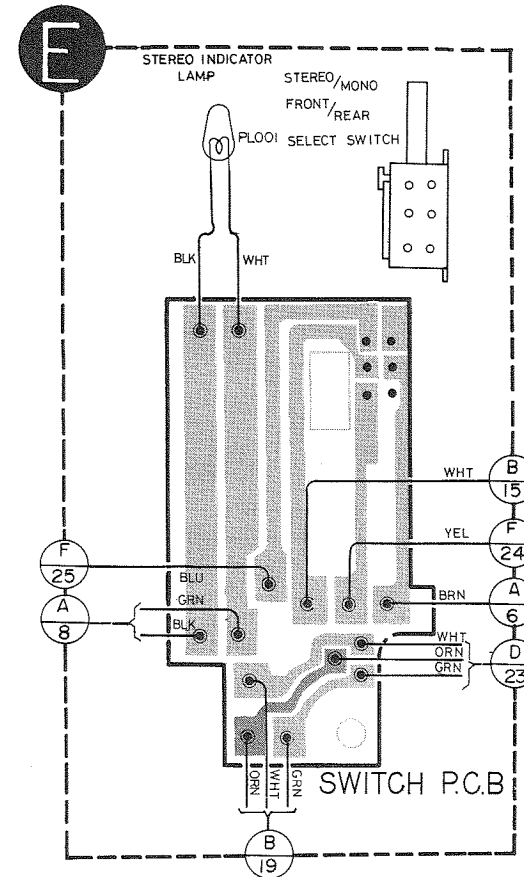
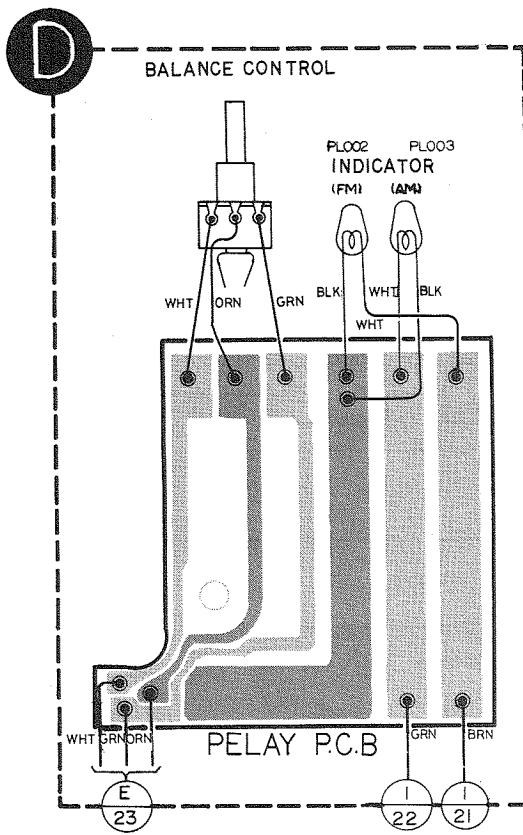


Note
 1. Voltage measured at base of chassis with minimum volume control and no signal.
 2. Nomenclature of Resistors and Capacitors.

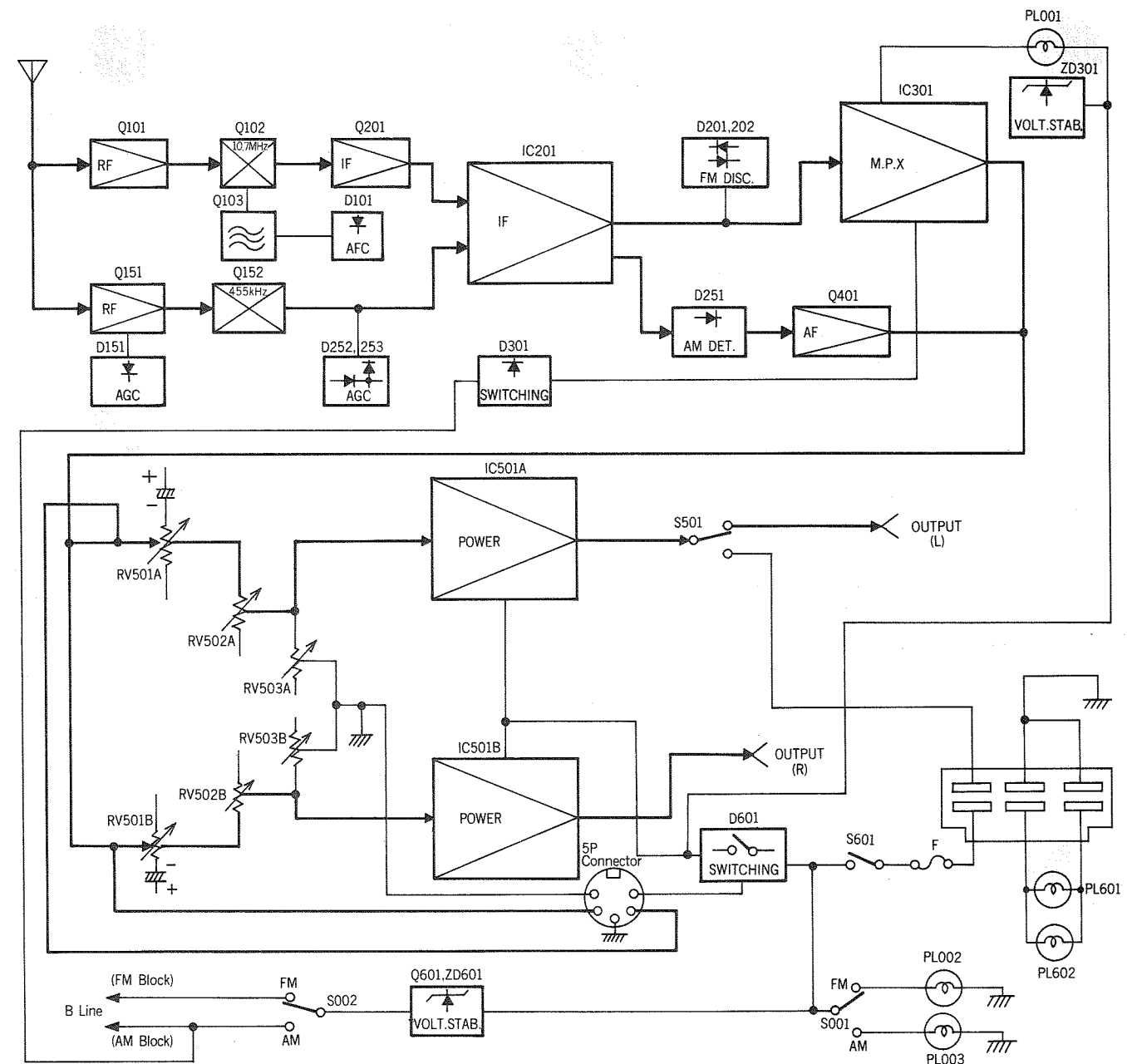
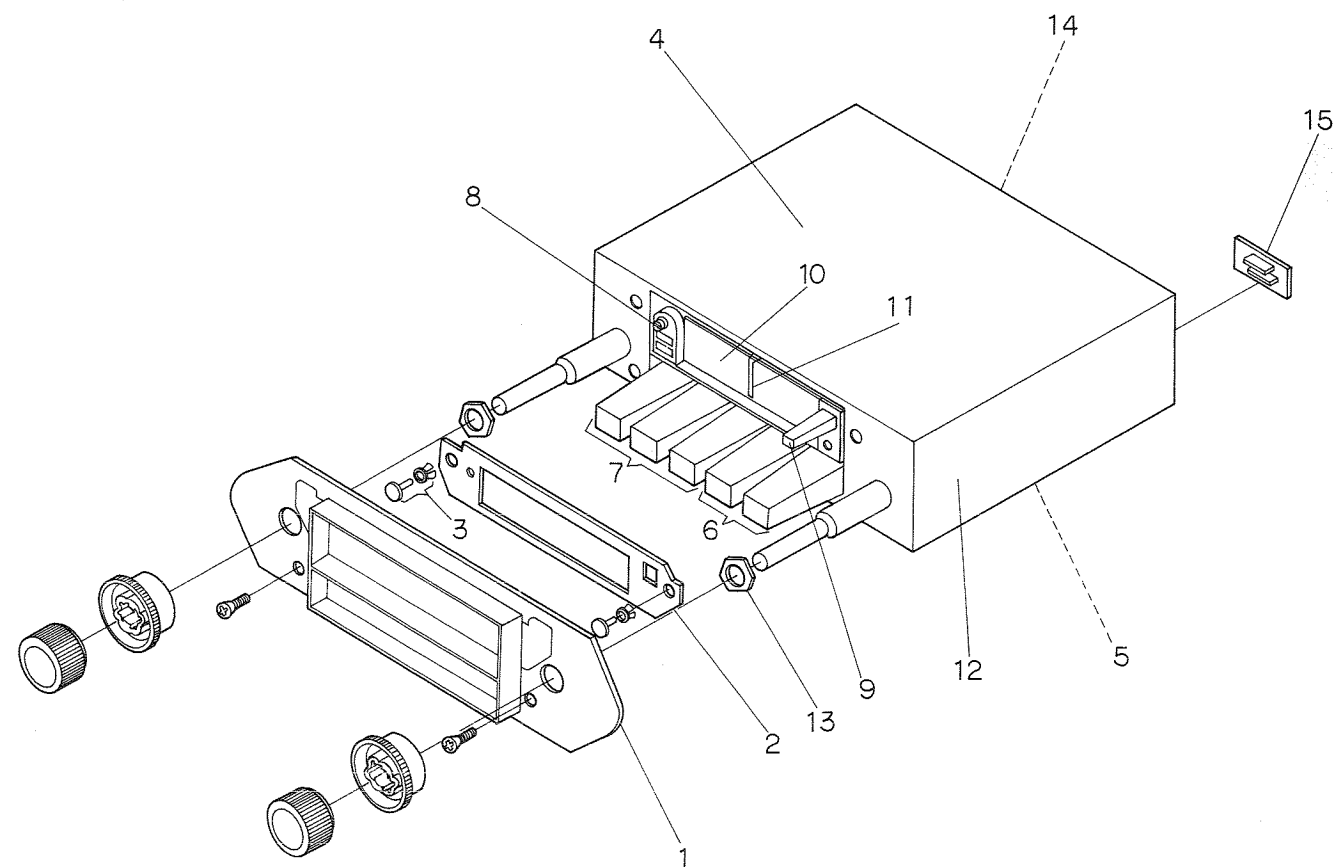
Circuit No.	
Value	No indicated Ω(Ohm) M : 1000 kΩ
Tolerance	No indicated ±5% K : ±10% M : ±20%
Wattage	No indicated ¼W
Sort	No indicated Carbon film RC : Composition RW : Wire wound RS : Oxide metal film RN : Fixed metal film

Circuit No.	
Value	No indicated μF P : PF
Tolerance	No indicated ±10% J : ± 5% M : ±20% Z : +80% - 20% D : ±0.5pF C : ±0.25pF
Sort	Ceramic Electrolytic Mylar Polyester Styrol
Voltage	No indicated 50WV

3. Be sure to make your orders of resistors and capacitors with value, voltage, tolerance and sort.
 4. When replacing capacitors marked with *, use specified ones stated on parts list since required temperature characteristics.



SYMBOL-NO	P-NO	DESCRIPTION	SYMBOL-NO	P-NO	DESCRIPTION
MISCELLANEOUS			MISCELLANEOUS		
PL002	5762037	LAMP	1	6241721	NOSE ESCUTCHEON
PL003	5762037	LAMP	2	6470333	SCALE PLATE
PL601	5760404	LAMP	3	6714216	NYLON RIVET
PL602	5760404	LAMP	4	6145072	UPPER COVER
S301	5633053	PUSH SWITCH	5	6145692	UNDER COVER ASSEMBLY
FOR ACCESSARYS			6	6259582	PUSH BUTTON
7285111		SET BRACKET	7	6259583	PUSH BUTTON
5075222		NOISE ELIMINATING(C-122)	8	6739282	TRIMMER JOINT
6294421		KNOB(S)	9	6252111	PUSH BUTTON
6294411		KNOB(L)	10	6481321	BACK PLATE
0643135		NUT - 9MMD	11	7282121	POINTER ASSEMBLY
0629187		9D WASHER	12	6145093	CASE
6720574		SPEAKER GRILL ASSEMBLY	13	0643135	NUT - 9MMD
5410651		SPEAKER - 12CM	14	6146482	REAR CASE ASSEMBLY
5891244		2P CORD	15	6729974	FUSE COVER



HITACHI SALES CORPORATION OF AMERICA
 NATIONAL HEADQUARTERS
 401 West Artesia Boulevard, Compton, California 90220
 Tel. 213-537-8383
 Eastern Regional Office
 48-50 34th Ct., Long Island City, N.Y. 11101
 Tel. 212-361-3090
 Mid-Western Regional Office
 1400 Morse Ave., Elk Grove Village, Ill. 60007
 Tel. 312-593-1550
 South-Western Regional Office
 2050 Stemmons Freeway, Dallas, Texas 75207
 Tel. 214-747-3547
 Western Regional Office
 401 West Artesia Boulevard, Compton, California 90220
 Tel. 213-537-8383